



Hay Rake

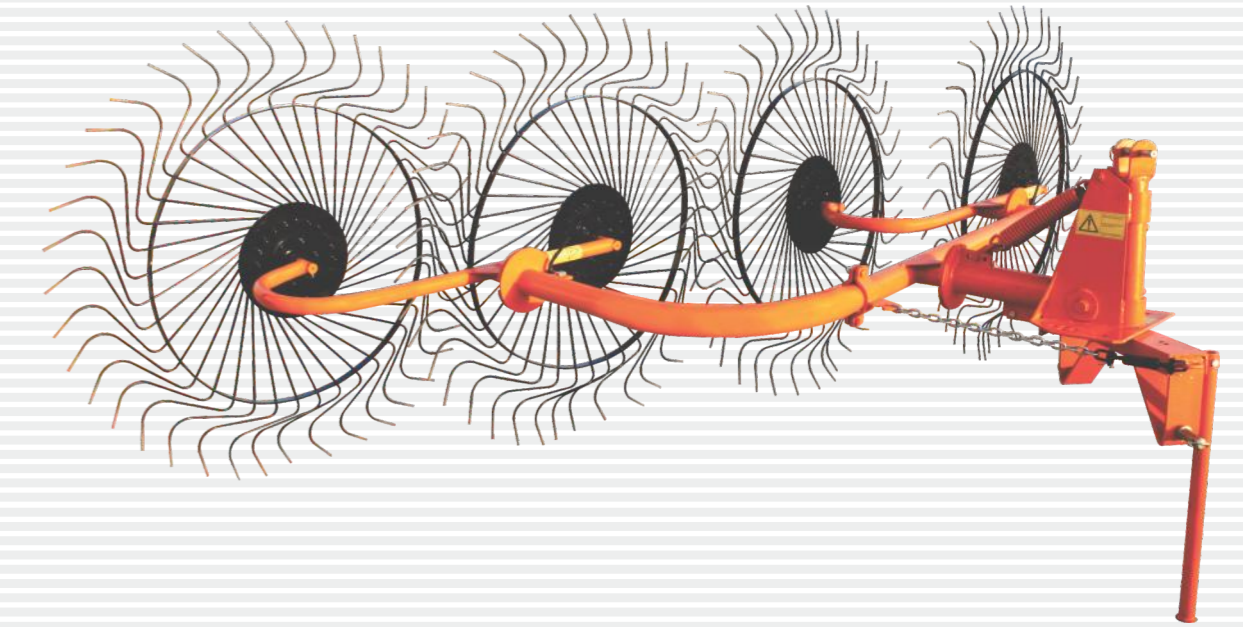
SHAKTIMAN Hay Rake is designed to move the mowed windrow across the soil surface or remaining crop stubble, creating a narrower windrow that will dry more rapidly.

Advantages

- **SHAKTIMAN** Hay rake is a tractor mounted and ground driven agricultural implement which gives high quality raking result with overall low cost of ownership.
- It has no gears, chains or other drive components to wear out; the finger wheel rake is truly a low maintenance tool.
- When tractor moves forward, the wheels of hay rake gently turn the hay towards the back of the unit leaving all the hay raked in a suitable windrow to form a compact and even bale.
- Tines are made of spring steel for a more gentle and clean contact with forage.
- It has two springs which absorb shocks and gives proper contact with ground.
- Front frame of the machine is provided with different holes for required windrow width.

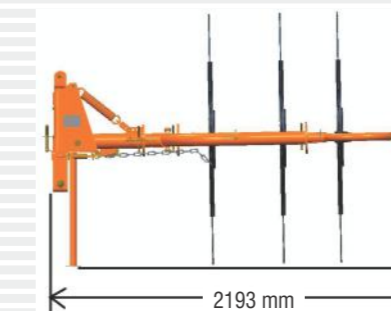
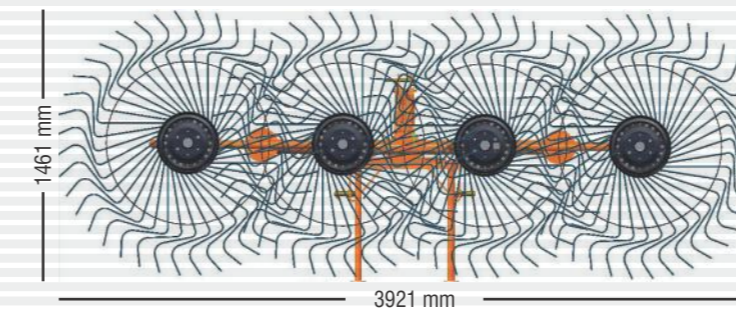
Hay Rake

Hitching System	Three Point Hitch Cat. 1
Tractor Power	25HP / 19kW (& above)
Overall Dimensions (L x W x H)	3921 x 2193 x 1461 mm
Maximum Working Width (mm / inch)	2550 / 100.4
Working Speed	Up to 9 km / hr
Dia. of Rake Wheel (mm / inch)	1460 / 57.5
Weight (Kg / lbs)	160 / 352
Total Number of Rake Wheel	4
Number of Tines per Wheel	40
Teeth Dia.(mm / inch)	7 / 0.3
Tension Method	Spring
Transport Width (mm / inch)	2350 / 92.5
Transport Height (mm / inch)	3100 / 122



The company reserves absolute rights to modify the specifications of machine and components therein without any prior notice.

Features



*Accessories shown are not part of standard equipment.